

CMRI CERT NO. :- CIMFR/TC/SR/H483  
 SUPPLE. T.C. NO. :- CIMFR/TC/S/H144  
 CAT. NO./TYPE NO. :- KJB-A-02

TECHNICAL DATA

ENCLOSURE :-  
 EX-d AS PER IS/IEC 60079-1:2007

PROTECTION :-  
 IP-66 AS PER IS 12063-1987 (IS/IEC 60529:2001)

AREA CLASSIFICATION :-  
 ZONE -1 & 2

TEMPERATURE CLASS :-  
 T6

GAS GROUPS :-  
 IIB

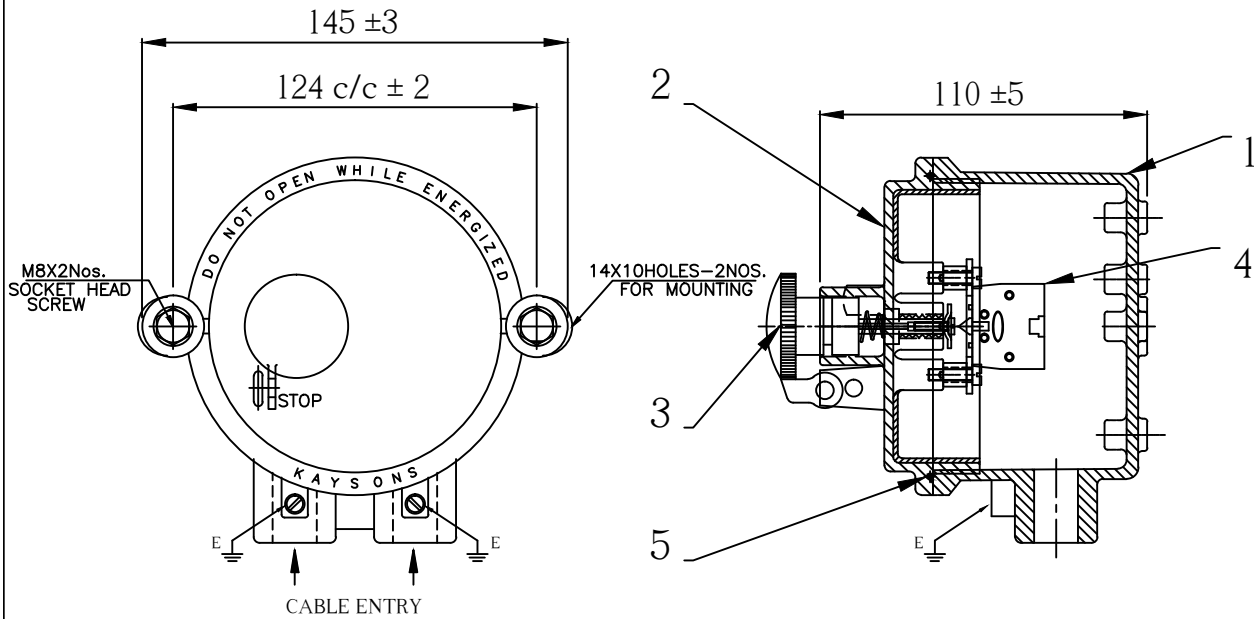
MATERIAL OF CONSTRUCTION :-  
 DIE CAST AL. ALLOY LM-6

HARDWARE :-  
 STEEL ZINC PLATED/STAINLESS STEEL

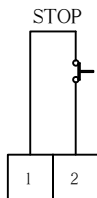
FINISH :-  
 LIGHT GREY

EARTHING :-  
 1 NO. INSIDE & 2 NOS. OUTSIDE

CABLE ENTRY :-  
 M20x1.5P / 3/4"ET - 2NOS.



WIRING DIAGRAM



05.	GASKET (ENDLESS, MOULDED)	1	NEOPRENE
04.	CONTACT ELEMENTS (1NC)	1	-
03.	ACTUATOR RED-MUSHROOM HEAD	1	P.P.
02.	MAIN BODY COVER	1	DIE CAST AL. ALLOY
01.	BODY	1	DIE CAST AL. ALLOY
NO.	DESCRIPTION	QTY	MAT./RATING

CLIENT :-		DRAWN	KBP	1.8.13	DESCRIPTION:- FLP WP CONTROL STATION WITH STOP PUSH BUTTON														
CONSULTANT :-		APP'D	HPB	1.8.13															
P.O.NO. :-		CH'D	NPB	1.8.13															
<table border="1"> <tr> <td>ISSUE</td> <td>DATE</td> <td>BY</td> <td>MODIFICATION</td> </tr> <tr> <td> </td> <td> </td> <td> </td> <td> </td> </tr> </table>					ISSUE	DATE	BY	MODIFICATION					<table border="1"> <tr> <td>SHT.NO.</td> <td>REV.</td> <td>DRG.NO.:-</td> </tr> <tr> <td>1 OF 1</td> <td>0</td> <td>B22</td> </tr> </table>	SHT.NO.	REV.	DRG.NO.:-	1 OF 1	0	B22
ISSUE	DATE	BY	MODIFICATION																
SHT.NO.	REV.	DRG.NO.:-																	
1 OF 1	0	B22																	

THE INFORMATION CONTAINED IN THIS DRAWING IS THE PROPERTY OF KAYSONS TECHNO EQUIPMENTS PVT. LTD. AND IS NOT TO BE COPIED OR MISUSED IN ANY WAY.



**KAYSONS**  
 TECHNO EQUIPMENTS PVT LTD

1802/7, G.I.D.C. ESTATE,  
 V.U.NAGAR 388121. (GUJARAT)